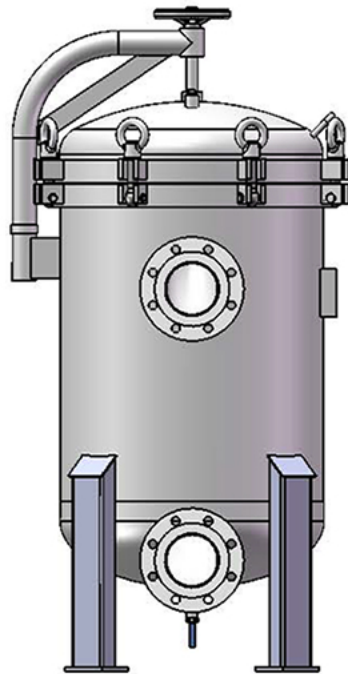
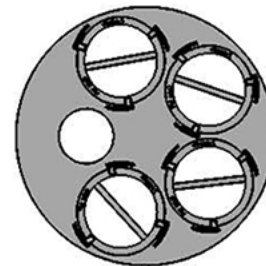
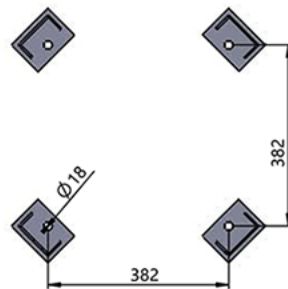
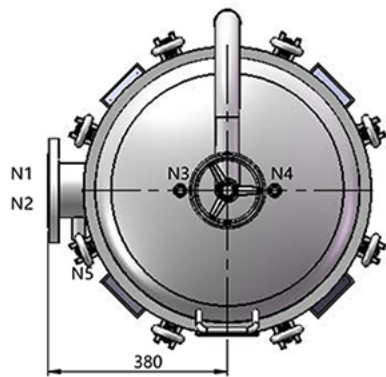


Nozzle Orientation



Leg Arrangement drawing

Element drawing



### DESIGN DATA

Design Pressure (MPa)	1.0	Design Temperature (°C)	80
Operating Pressure (Bar)	3-7	Operating Temperature (°C)	0-60
Test Pressure (MPa)	1.43	Filter Area (m <sup>2</sup> )	2
No. Filter Element	4	Volume (m <sup>3</sup> )	0.22
Shell Material	SS304	Empty Weight (Kg)	170

### Acid passivating & SSball blasting

Gasket/Material	Buna
Filter Element/Material	SS304

### NOZZLE LIST

Mark	Size	Pn	Connections Standard	Flange Type	Face Type	Service	From q
N1	DN100	16	HG/T20592-2009	PL	RF	Inlet	See Dwg.
N2	DN100	16	HG/T20592-2009	PL	RF	Outlet	See Dwg.
N3	1/2"	/	BSP1/2" (female)	/	/	Vent	See Dwg.
N4	1/2"	/	BSP1/2" (female)	/	/	Pressure guage	See Dwg.
N5	1/2"	/	BSP1/2" (male)	/	/	Drain	See Dwg.
N6	1/2"	/	BSP1/2" (female)	/	/	Clearance	See Dwg.

#### Technical requirements

1. The equipment is manufactured, inspected and accepted according to GB150-1998 (Steel pressure vessels).
2. After the equipment is manufactured, hydraulic test shall be carried out. The test pressure shall be in accordance with the parameter table, no seepage, no leakage, no abnormal sound and visible deformation shall be qualified.
3. Packaging and transportation of equipment shall be carried out in accordance with JB/ 4711-2003.
4. Inside and outside surface pickling passivation, polishing treatment.



**CleverFilter®**  
THE FILTRATION PEOPLE

DESIGN BY



Multi-Bag Filter Housing		Item No.	
		REV.	1
Material	SS304	Scale	1: 12
Model	HSTB180 E SS304 CF-6	DATE.	7 Jan 2020